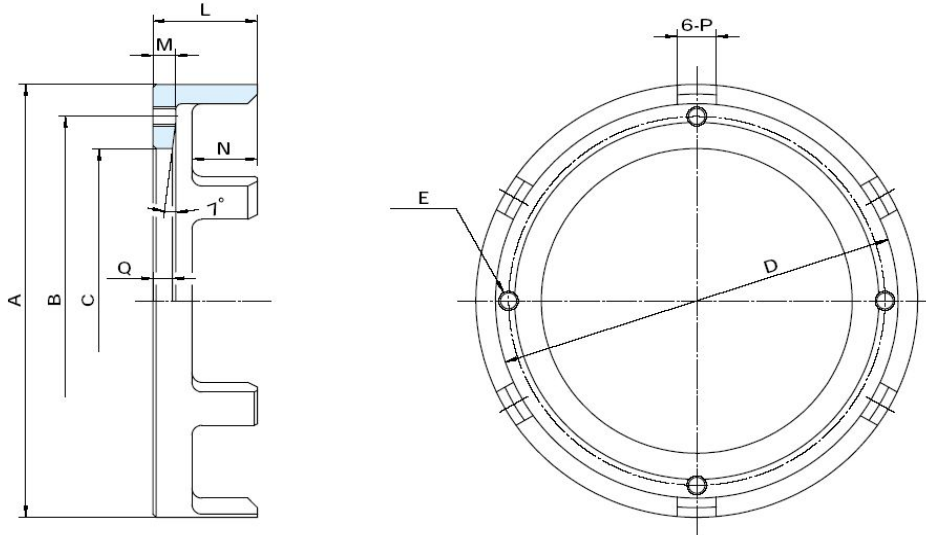


UN

Coupling for Multiple-Disk Clutch

Types: 1.2, 2.5, 5, 10, 20, 40, 80, 160, 250, 320, 450, 600



UN		1.2	2.5	5	10	20
Moment of Inertia (J) [kg-cm ²]		2.3	5	9.8	23.5	54
Dimensions [mm]	A	82	97	114	135	160
	B	68	80	95	115	135
	CH7	56	65	78	95	115
	D	74	88.5	104	123	146
	E	M5	M6	M6	M6	M8
	E (Qty)	4	4	4	6	6
	L	21.5	23	26	32	38
	M	5.5	6	6.5	7	10
	N	13	15	16	20	22
	Q	5	5	5.5	6	9
Weight [lbs / kg]		0.33 / 0.15	0.49 / 0.22	0.77 / 0.35	1.1 / 0.5	2.4 / 1.1

UN		40	80	160	250	320	450	600
Moment of Inertia (J) [kg-cm ²]		149	365	1080	2070	3280	8150	10800
Dimensions [mm]	A	198	238	294	330	355	404	444
	B	160	200	240	260	280	320	360
	CH7	135	170	200	220	240	280	310
	D	181.5	220	267.5	304	324	368	404
	E	M10	M12	M16	M16	M18	M20	M20
	E (Qty)	6	6	6	6	6	6	8
	L	48	60	75	82	97	105	122
	M	12	15	20	20	25	30	30
	N	26	34	38	44	52	53	72
	Q	10	13	17	17	22	27	27
Weight [lbs / kg]		4.6 / 2.1	6.6 / 3.0	16.0 / 7.3	21 / 9.5	30 / 14	44 / 20	55 / 25

[1 inch = 25.4 mm]