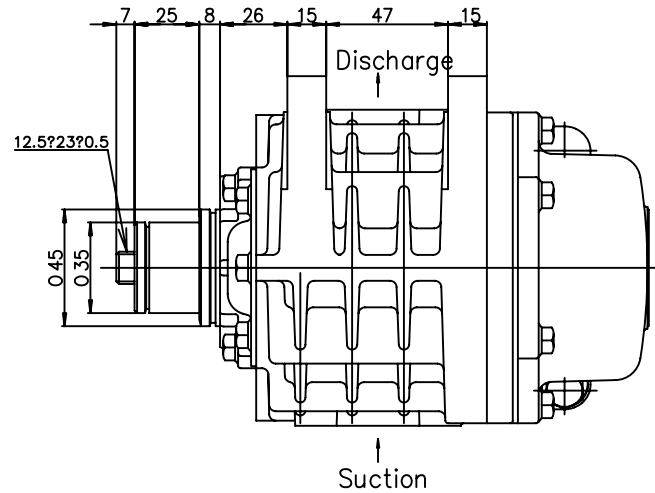
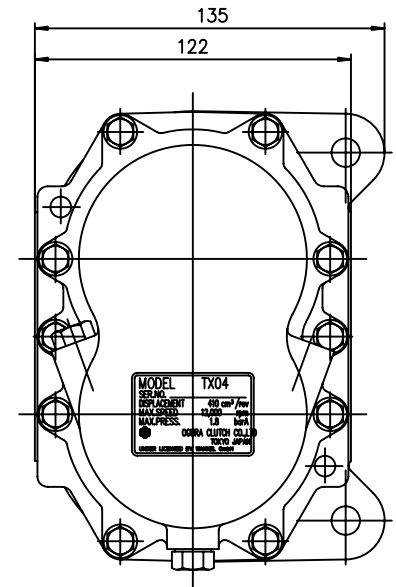
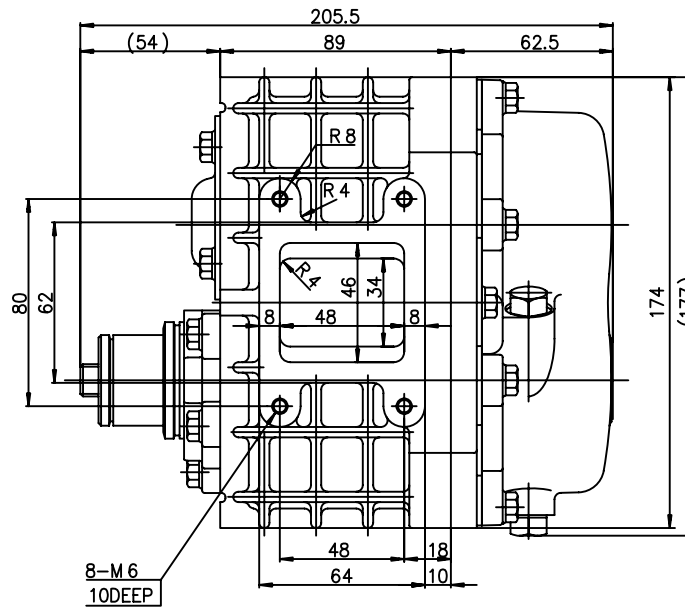
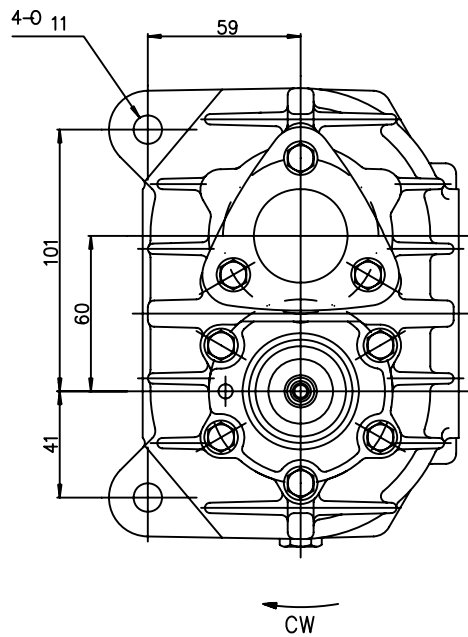


REV	REVISION RECORD	NOTE
1	10-ring and gasket were changed to liquid gasket.	(1) Next manufacturing



Specifications

Displacement	410 cm ³ /rev
Max. R.P.M.	12,000 rpm
Max. Press. Ratio	1.8
Weight	5.3 kg
Oil Amount	45 cc



CONFIDENTIAL
 THE DRAWINGS AND TECHNICAL INFORMATION
 INCLUDED HEREIN ARE THE PROPERTY OF
 OGURA INDUSTRIAL CORP AND CAN NOT
 BE DUPLICATED WITHOUT WRITTEN APPROVAL
 FROM OIC.

ISSUE NO	PLANT	PARTS CODE	NAME	ISSUE DATE	SCALE	MODEL	ASSY NO	DESIGNER	CHK
Redrawn		6113010402	S/C Assy		A1	TX04			

OGURA CLUTCH Co.,LTD. 61100001 1/2